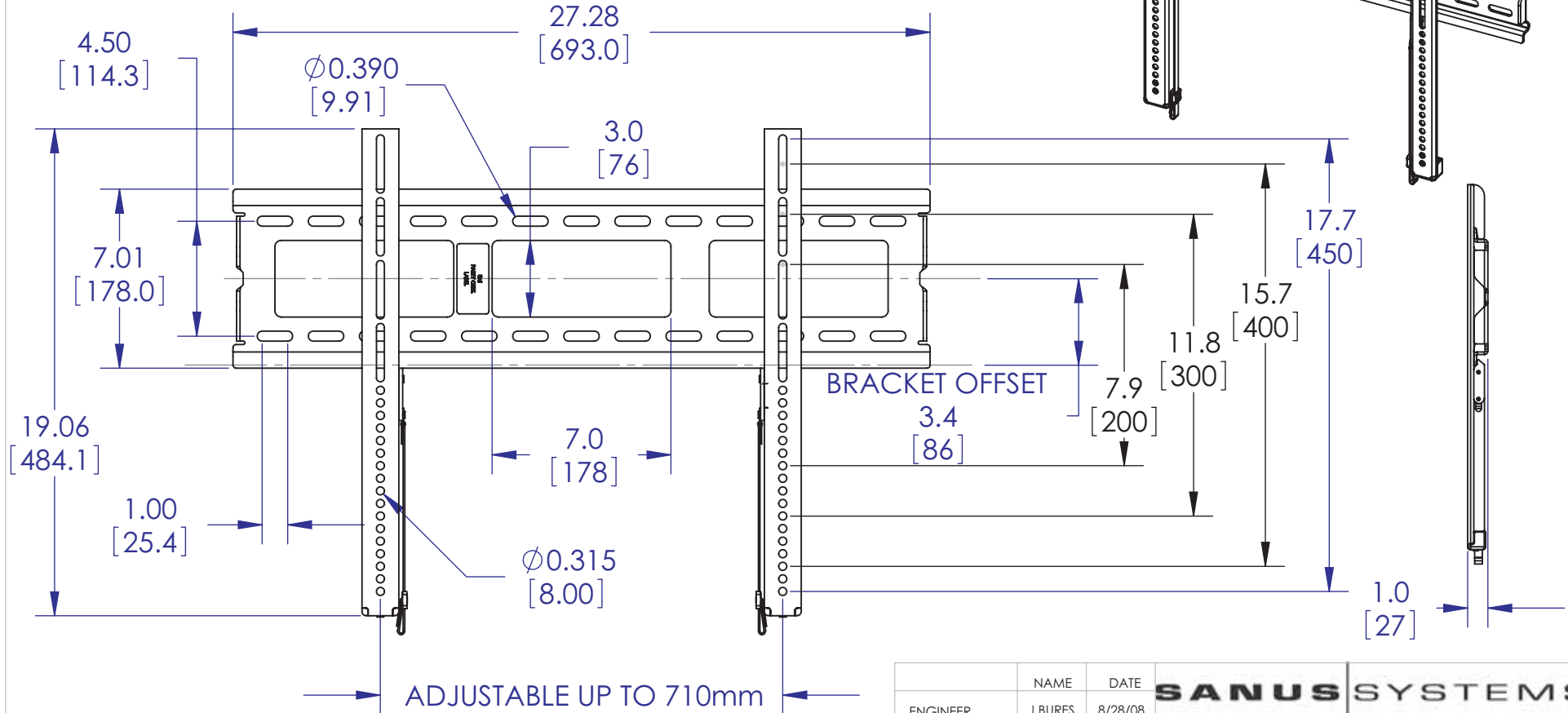
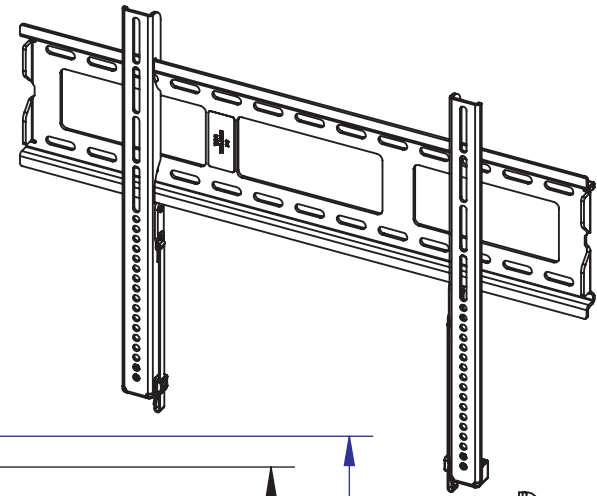


**WEIGHT CAPACITY:
130lbs
in [mm]**



BRACKET OFFSET

ADJUSTABLE UP TO 710mm

| | | | |
|-------------------|---------|---------|----------------------|
| | NAME | DATE | SANUS SYSTEMS |
| ENGINEER | J BURES | 8/28/08 | |
| DESIGNER | RAH | 8/28/08 | |
| APPROVED | J BURES | 8/28/08 | |
| NOTES: | | | TITLE: F55 |
| TEMPLATE REV.: 05 | | | SHEET 1 OF 1 |

PROPRIETARY AND CONFIDENTIAL
THE INFORMATION CONTAINED IN THIS DRAWING IS THE SOLE PROPERTY OF SANUS SYSTEMS, A PRODUCT DIVISION OF MILESTONE AV TECHNOLOGIES. ANY REPRODUCTION IN PART OR AS A WHOLE WITHOUT THE WRITTEN PERMISSION OF SANUS SYSTEMS IS PROHIBITED.